

Ds4F



Description

The new Verderflex Ds4F, cased drive, peristaltic pump - accurately doses liquids for industries ranging from the aseptic, pharmaceutical environment to the harsh requirements of water treatment and mining.

Your benefits

- Advanced touch screen controls
- Intuitive, easy to follow menus
- Quick change tube elements
- Maximum flow rate 4000 ml/min, 240 l/h
- Full colour 4.3" TFT touchscreen

Technical data

Supply voltage	100-240V 50/60Hz AC
Flow range (ml/min)	5 - 4000
Speed range (rpm)	1 - 220
Max. discharge pressure (bar)	4
Power consumption (W)	252
Ambient operating temperature (°C)	4 - 45
Max. temperature of pumped medium (°C)	85
Noise level	<70db(A) @ 1m
IP rating	IP66 NEMA Type 4X
Humidity	10-100% RH (condensing)
Weight (kg)	8.6

Materials

Part	Description
Pump housing	20% GF PPE/PS (Polyphenyl Ether + Polystyrene), Stanyl®
Drive shaft	PA6 (nylon)
Pump head door	Polycarbonate
Pump head enclosure	BMC
Screen guard	Polycarbonate

Ds4F



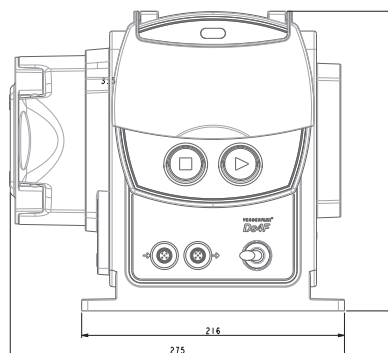
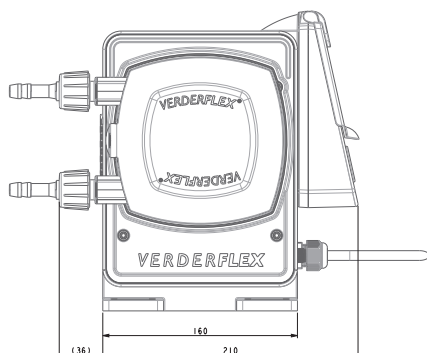
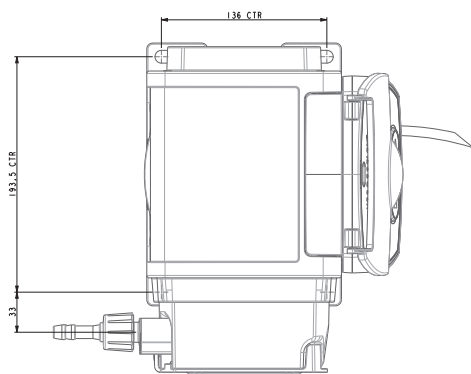
Features

- Numerical flow display
- Numerical speed display
- Fluid level monitor
- Max (prime)
- Auto restart (after power restored)
- Fluid recovery
- Leak detection
- 4.3" colour touchscreen
- Fault reporting
- Forward + reverse
- Door open sensor

Control methods

- Manual control capability
- Input / Output options
- 4-20mA input
- 4-20mA input, two point calibration
- 4-20mA output
- Contact input (pulse/batch)
- Run stop input
- Alarm output
- Keypad lock
- PIN lock to protect set up

Dimensions



All dimensions are in mm.
All dimensions and weights are for guidance only.

Ds4F



Performance data

Tube material	Tube dims. mm (ID x WT)	Part No.	ml.min		Max. pressure Bar	RPM		Shore A (nominal)	Element connector / gasket material	Rotor type
			Min.	Max.		Min.	Max.			
Verderprene (FDA)	4.8 x 2.4	155.9.0022	5	1100	2	1	220	65	PP/EPDM	2.4
	9.6 x 2.4	155.9.0023	18	4000	2	1	220	65	PP/EPDM	
VerderPU	4.8 x 2.4	155.9.0026	5	1100	2	1	220	65	PVDF/PTFE	2.4
	8.0 x 2.4	155.9.0027	12	3040	2	1	220	65	PVDF/PTFE	
VerderChem	8.0 x 2.4	155.9.0025	12	3040	2	1	220	65	PVDF/PTFE	2.4
Verderprene	4.8 x 3.2	155.9.0028	5	970	4	1	180	80	PVDF/PTFE	3.2
	8.0 x 3.2	155.9.0029	12	2400	4	1	180	80	PVDF/PTFE	
Verderprene (NSF61)	4.8 x 3.2	155.9.0020	5	970	4	1	180	80	PP/EPDM	3.2
	8.0 x 3.2	155.9.0021	12	2400	4	1	180	80	PP/EPDM	

Product part numbers

Part No.	Description
155.5.1001	Ds4F (UK plug), 2.4WT rotor type
155.5.1002	Ds4F (EU plug), 2.4WT rotor type
155.5.1003	Ds4F (US plug), 2.4WT rotor type
155.5.1004	Ds4F (UK plug), 3.2WT rotor type
155.5.1005	Ds4F (EU plug), 3.2WT rotor type
155.5.1006	Ds4F (US plug), 3.2WT rotor type

Trademarks

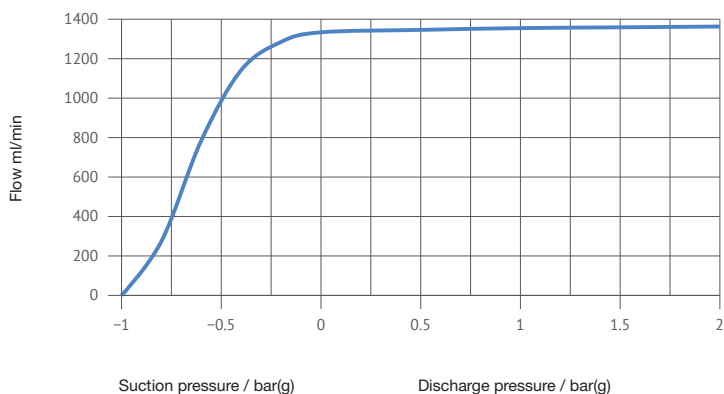
VERDERFLEX® is a registered trademark of Verder Liquids B.V. No permission is granted to use any Verder trademarks or trade names included in this document without the prior written agreement of Verder Liquids B.V. Tri-clamp® is a registered trademark of Alfa Laval Corporate AB. Hypalon® is a registered trademark of RSCC Wire & Cable LLC.

Ds4F

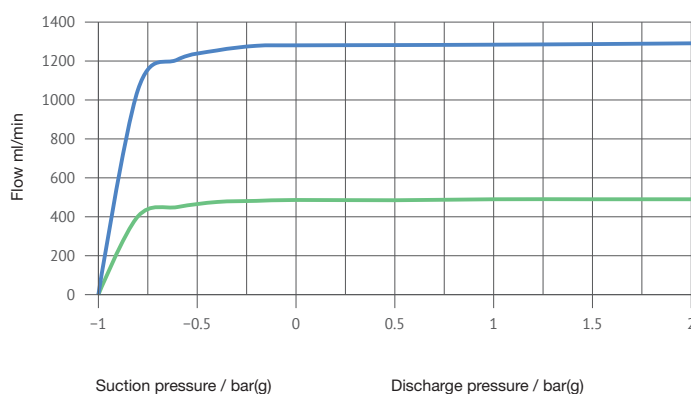


Performance Curves

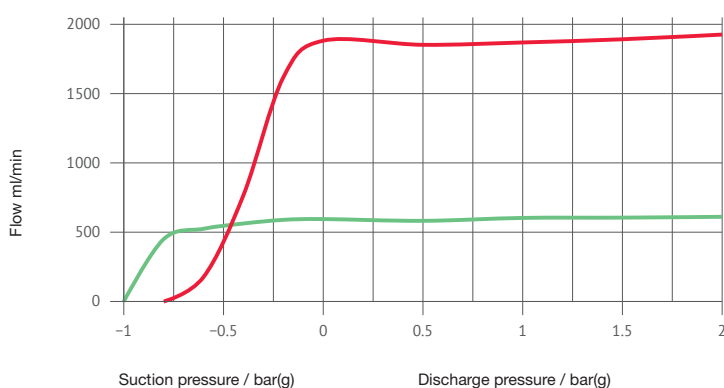
VerderChem



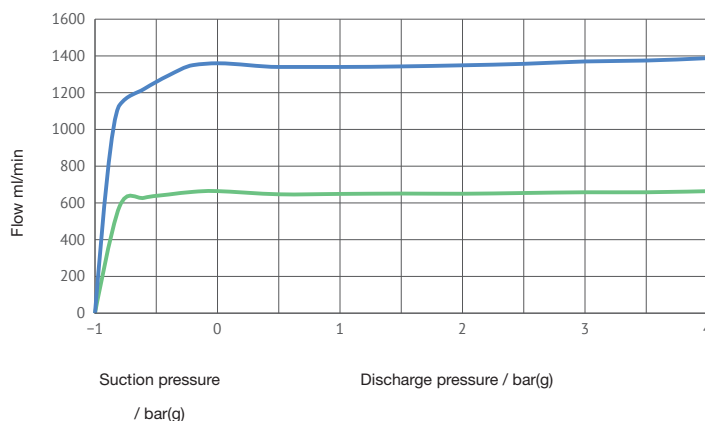
VerderPU



Verderprene 2.4wt



Verderprene 3.2wt



Flows are typical and were measured with water at 20°C. Actual flows will vary according to suction conditions, discharge pressure and normal component production tolerances.

- 4.8mm
- 8.00mm
- 9.6mm



WolfLabs

Pricing on any accessories shown can be found by keying the part number into the search box on our website.

The specifications listed in this brochure are subject to change by the manufacturer and therefore cannot be guaranteed to be correct. If there are aspects of the specification that must be guaranteed, please provide these to our sales team so that details can be confirmed.

www.wolflabs.co.uk

Tel : 01759 301142

Fax : 01759 301143

sales@wolflabs.co.uk

Please contact us if this literature doesn't answer all your questions.